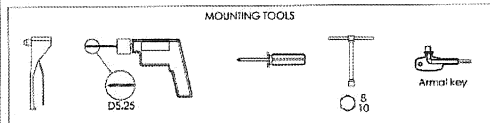


**TOPLINE CABINET  
ASSEMBLY INSTRUCTIONS**

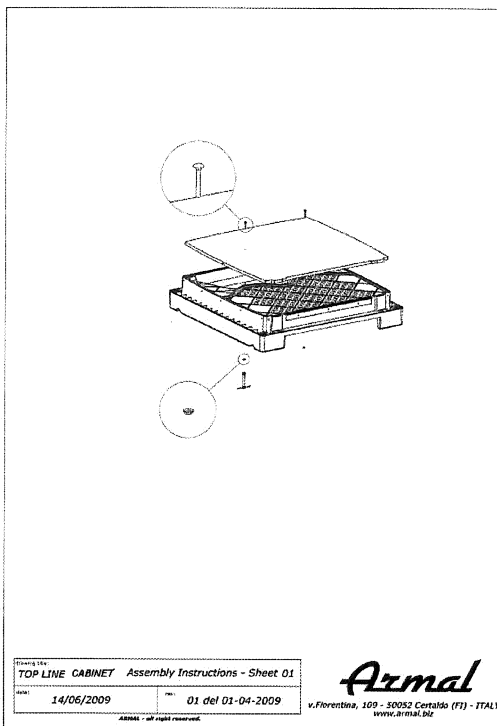
# Armal

v. Fiorentina, 109 - 50052 Certaldo (FI) - ITALY  
www.armal.biz



14/06/2008 01 del 01-04-2008

ARMAL - all rights reserved.

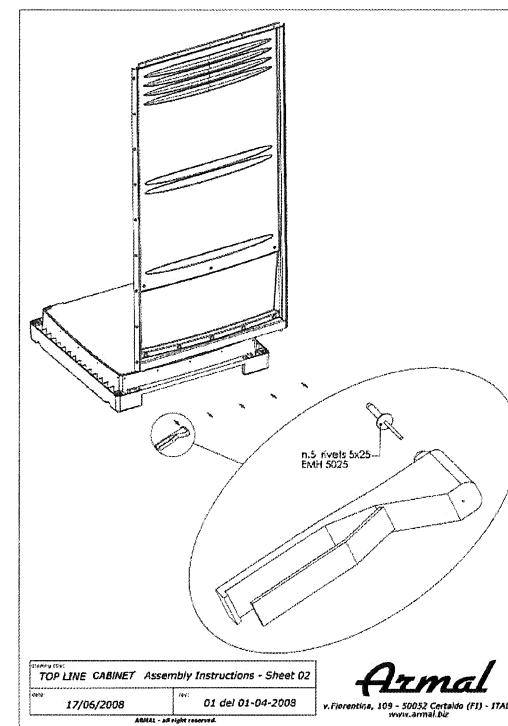


TOP LINE CABINET Assembly Instructions - Sheet 01  
14/06/2009 01 del 01-04-2009

v. Fiorentina, 109 - 50052 Certaldo (FI) - ITALY  
www.armal.biz

**Armal**

ARMAL - all rights reserved.

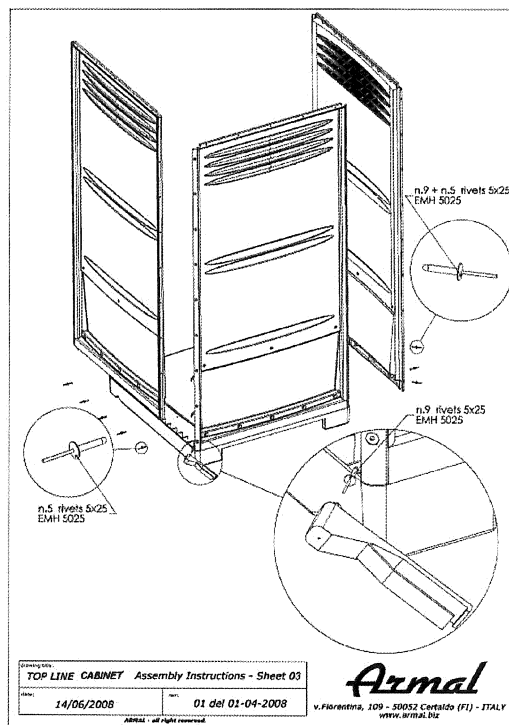


TOP LINE CABINET Assembly Instructions - Sheet 02  
17/06/2008 01 del 01-04-2008

v. Fiorentina, 109 - 50052 Certaldo (FI) - ITALY  
www.armal.biz

**Armal**

ARMAL - all rights reserved.

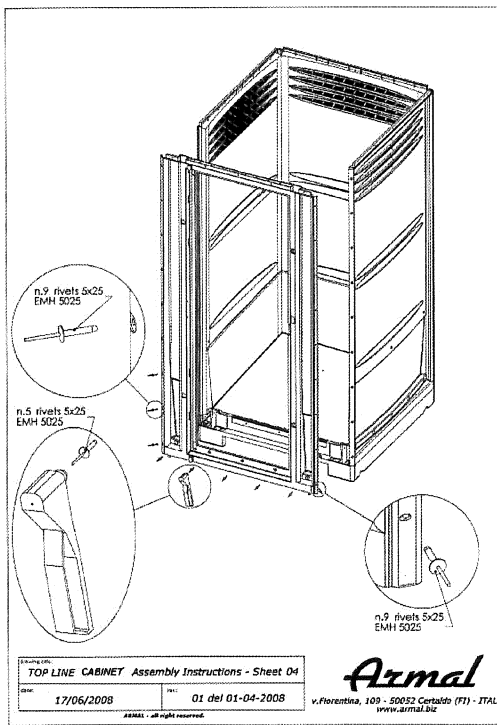


TOP LINE CABINET Assembly Instructions - Sheet 03  
14/06/2008 01 del 01-04-2008

v. Fiorentina, 109 - 50052 Certaldo (FI) - ITALY  
www.armal.biz

**Armal**

ARMAL - all rights reserved.

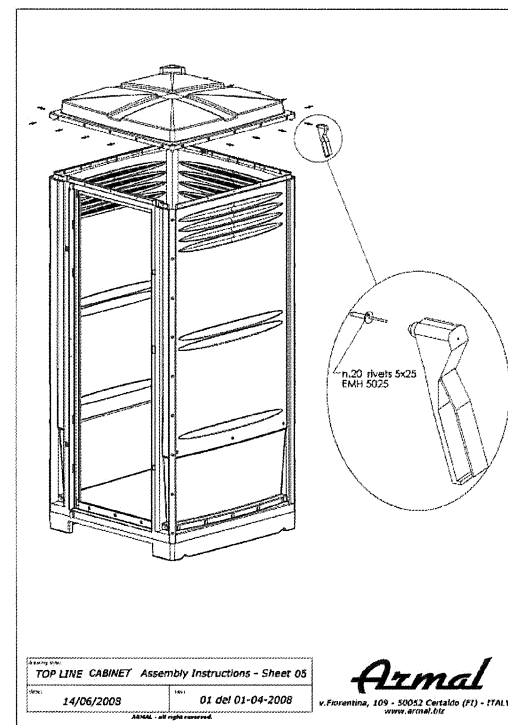


TOP LINE CABINET Assembly Instructions - Sheet 04  
17/06/2008 01 del 01-04-2008

v. Fiorentina, 109 - 50052 Certaldo (FI) - ITALY  
www.armal.biz

**Armal**

ARMAL - all rights reserved.



TOP LINE CABINET Assembly Instructions - Sheet 05  
14/06/2008 01 del 01-04-2008

v. Fiorentina, 109 - 50052 Certaldo (FI) - ITALY  
www.armal.biz

**Armal**

ARMAL - all rights reserved.

